

Rugged Handheld Device 4.3"

S430T

Product Features:

- OS Supported Android 2.3.4 / Windows CE® 6.0 / Windows Mobile 6.5
- High brightness 480 x 800 LED display
- Projected Capacitive Resistive Touch
- 5 megapixel digital camera with LED auxiliary backlight
- Embedded with Micro SD card slot
- Designed for IP67 Dust & Water Protection
- Compliant with MIL-STD 810F Standard
- Optional 1D / 2D Barcode reader
- Optional LF/HF RFID reader
- Optional 3G Module



Product Specifications:

System Specification	Processor	TI Cortex A8 OMAP 3530 720MHz with DSP
	System Memory	512MB Mobile DDR RAM
	Storage	512MB Flash Memory
	Operating System	Android 2.3.4 / Windows CE® 6.0 / Windows Mobile 6.5
Display Specification	Size	4.3"
	Resolution	480 x 800
	Brightness	270 (typ.)
	Touch	Projected Capacitive Touch
Wireless Communication	WLAN	Support 802.11 2.4GHz b/g/n mode
	Bluetooth	2.1+EDR (No audio profile)
	WWAN	Optional 3G Module (support HSPA/ UMTS / GPRS / WCDMA / GSM)
	GPS	Built-in U-blox GPS module
Mechanical and Environment	Dimensions (W x L x H)	179 x 99 x 38 mm (Standard)
	Weight	450g (Standard)
	Operation Temperature	-20°C to 60°C / -4°F to 140°F
	Operation Humidity	95% RH, non-condensing
	IP Proof	IP67
	Shock	MIL-STD-810F Method 516.5
	Vibration	MIL-STD-810F Method 514.5
	Drop	MIL-STD-810F Method 516.5, 4 ft, Free to concrete
Certifications	CE, FCC	
I/O Connectors	External I/O	1 x Serial Port (RS-232) 1 x Mini USB OTG (Mini-A 5pin Female Type) 1 x 2.5Ø 5V 3A DC Power Input
	Internal Audio Device	1 x Microphone (under Keypad) 1 x 1.2W Speaker (under Keypad)
	Expansion Slots	SDIO / SDHC card slot (up to 16GB SDHC memory card) x 1
	Optional I/O (Either one)	1 x Barcode Reader: 1D/2D Scan Module Support QR Code / Data Matrix /PDF417 / Maxicode / Aztec 1 x HF RFID Reader:Support ANSI/ISO14443A Card Type(13.56 MHz Frequency) 1 x LF RFID Reader:Support EM compatible 64 bits,ASK Manchester coding(125 KHz Frequency)
	Power Management	Power input 5V DC in Power consumption 10W (under full loading) Battery 3.7V 5000mAh Li-Poly rechargeable battery Battery Operating Time Low Use Case: 8.6Hr (Backlight at 10% duty cycle,default level,idle) Adapter 15W Adapter
Field Service Features	Camera 5.0M pixel Camera with LED auxiliary light (Rear Side, with Auto Focus)	

Order Information:

Model Name	Config
S430T	Default, no options added
S430T/RF	With RFID Reader (HF or LF)
S430T/BR	With Barcode Reader
S430T/3G	With 3G
S430T/3R	With 3G + RFID Reader
S430T/3B	With 3G + Barcode Reader

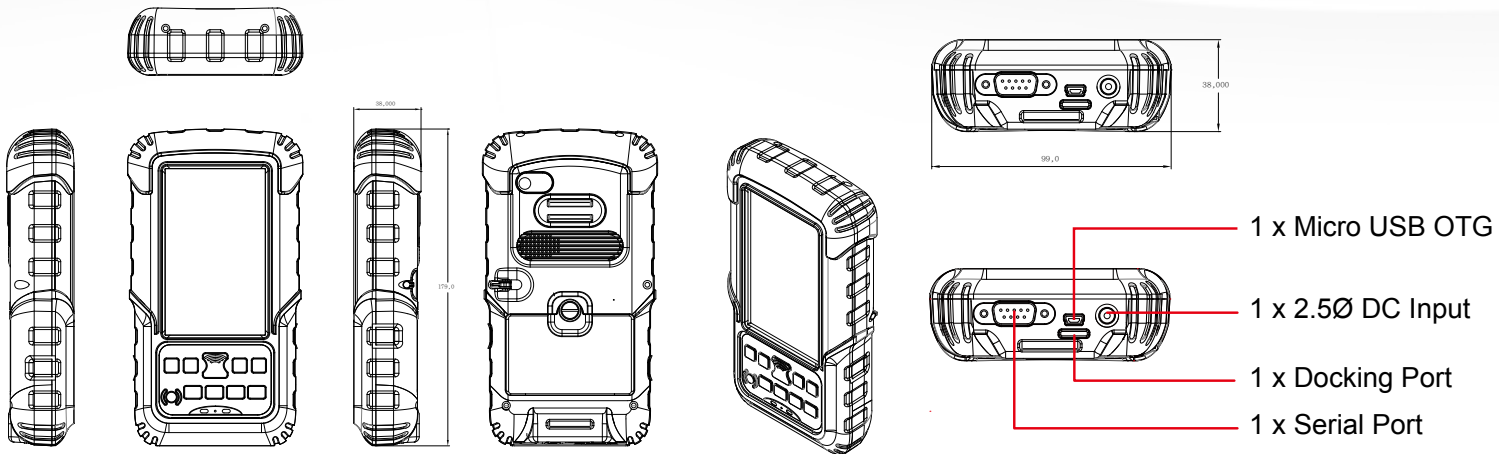
Accessories:

Default	Quick Start Guide (Paper)
	User Manual & BSP CD
	Hand Strap
	15W Adapter
	Touch Pen
Optional Items	2GB Micro SD Card(Optional)
	5000mAh Extra Battery(Optional)

Rugged Handheld Device 4.3"

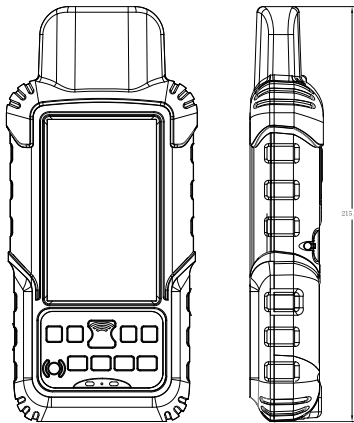
S430T

Dimensions :

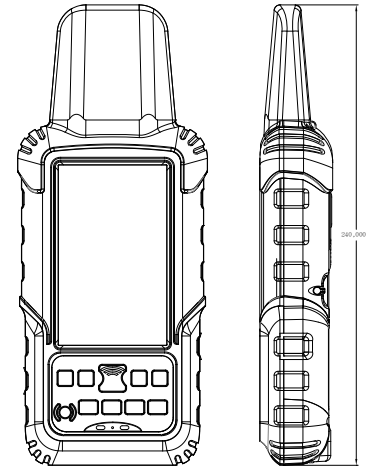


Standard

Barcode Reader



UHF-RFID Reader



Optional specification:

◆ 1D/2D Barcode Reader Specification

Barcode Reader : 2D Scan Module
 2D Support : QR Code, Data Matrix, PDF417, Maxicode, Aztec
 1D Support : Code 39, Code 128, Codabar, EAN-13, EAN-8, UPC-E, UPC-A, Interleaved 2 of 5, Code 93, ISBN/ISSN, China post 25.

◆ HF RFID reader Specification

HFRFID Reader : Support ANSI/ISO14443A Card Type(13.56 MHz Frequency)

Reference Standards:	ANSI/ISO Standards 14443A
Operating Frequency:	13.56MHz
Scan Field	5CM

Barcodes	Density (mil)	Near (mm)	Far (mm)
Code 39	5	55	115
Code 39	10	30	215
PDF417	5	50	105
PDF417	10	30	215
QR Code	10	25	135
QR Code	15	25	210
Datamatrix	10	25	150
Datamatrix	15	20	220

◆ LF RFID reader Specification

LFRFID Reader : Support ANSI/ISO14443A Card Type(13.56 MHz Frequency)

Rev.	Reasons	Revised Date
1.0	First release	Dec.05.11
1.1		
1.2		